

2K Webcam

Copyright @ warp space.iMISES is an authorized trademark of Shenzhen warp space technology Co.,Ltd., and the logo of iMISES has been registered.The company does not assume any responsibility for any errors that may occur in this manual.The information contain in this manual is subject to change without prior notice.



CC1006s CAMERA



Shenzhen Warp Space Technology Co.,Ltd.

24Hour Online After-Sales Service:imises@afterservice.vip

Web: www.imises.com

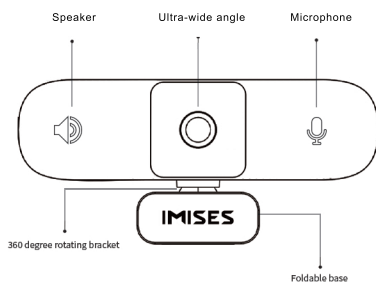
E-mail: imises@afterservice.vip

Add: 1906,Jiangnan Times Bldg, Bantian St, Longgang, Shenzhen

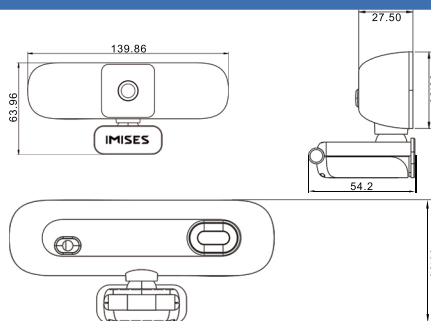
Instruction

CC1006s

Product Description



Product Size



Product Parameter

Parameters/Model : CC1006s

Camera and lens parameters

Image sensor : 1/2.7 inch CMOS

Image ratio : 16:9

Image output : 2k, 1080P, 720P, 480P, 360P

Field of view : 90°

Low illumination : Support

Backlight compensation : Auto

Image noise reduction : 2D,3D digital noise reduction

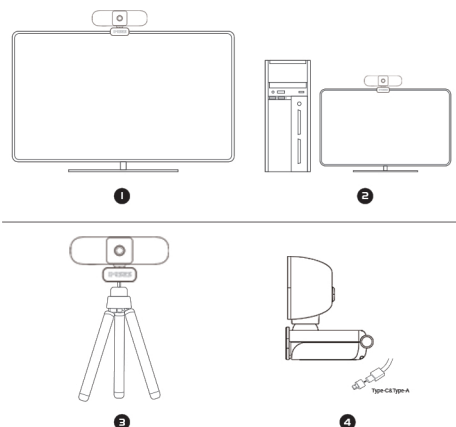
White balance : Auto

Interface : type-C & type-A

Audio input : Built-in 360° omnidirectional pickup and noise reduction microphone, pickup distance 5 meters

Audio output : High power speaker,professional sound cavity

Installation Diagram



Compatible with the Following Products



USB Features

Operating system:

- Windows 7 (Only supports 1080P and below)
- Windows 8.1, Windows 10 or higher
- Mac OS™ 10.10 or higher
- Google™ Chromebook™ Version 29.0.1547.70 or higher
- Linux(Need to support UVC)

Hardware Requirements:

- 2.4 GHz Intel® Core 2 Duo processor or higher
- 2 GB RAM or more
- type-C & type-A

Other parameters

Voltage : 5V

Current : 500mA(min)

Power consumption : 5W(max)

Stored temperature : -40°C~60°C

Operating temperature : -10°C~40°C

Size (L*W*H) : 5.51*2.13*2.52(inches)

Weight : 232g

Use environment : Indoor

Attachment : sft type-C,user manual,certificate of conformity