

CC1016 说明书

成品尺寸 192*240mm 折起尺寸 64*120mm

虚线为 3mm 的血线

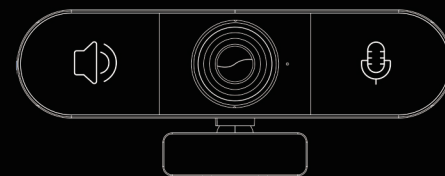
157 双筒纸, 包心折, 彩色印刷

AI & 4K USB CAMERA

Copyright @ warp space.iMISES is an authorized trademark of Shenzhen warp space technology Co.,Ltd., and the logo of iMISES has been registered.The company does not assume any responsibility for any errors that may occur in this manual.The information contain in this manual is subject to change without prior notice.



CC1016 CAMERA



Shenzhen Warp Space Technology Co.,Ltd.

24Hour Online After-Sales Service:imises@afterservice.vip

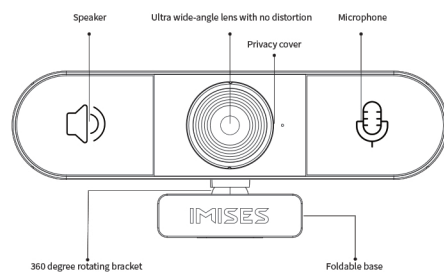
Web: www.imises.com

E-mail: imises@afterservice.vip

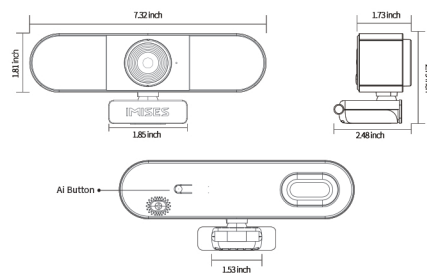
Add: 1906,Jiangnan Times Bldg,Bantian St, Longgang, Shenzhen.

Instruction

Product Description



Product Size



Product Parameter

Parameters/Model : CC1016

Camera and lens parameters

Image sensor : 1/2.8 inch CMOS

Image ratio : 16:9

Image output : 4K,2K,1080P,720P,480P,360P

Field of view : 90°

Low illumination : Support

Backlight compensation : Auto

Focus : Ai focus, Auto framing

Image noise reduction : 2D,3D digital noise reduction

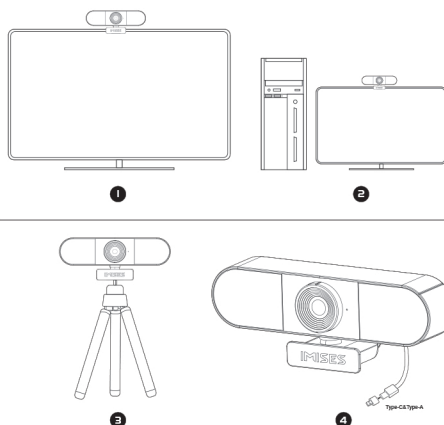
White balance : Auto

Interface : type-C & type-A

Audio input : Built-in 360° omnidirectional pickup and noise reduction microphone, pickup distance 5 meters

Audio output : Highpower speaker,professional sound cavity with phase inversion hole

Installation Diagram



Compatible with the Following Products



USB Features

Operating system:

- Windows 7 (Only supports 1080P and below)
- Windows 8.1, Windows 10 or higher
- Mac OS™ 10.10 or higher
- Google™ Chromebook™ Version 29.0.1547.70 or higher
- Linux(Need to support UVC)

Hardware Requirements:

- 2.4 GHz Intel® Core 2 Duo processor or higher
- 2 GB RAM or more
- type-C & type-A

Other parameters

Voltage : 5V

Current : 800mA(min)

Power consumption : 5W(max)

Stored temperature : -40°C~60°C

Operating temperature : -10°C~40°C

Size (L*W*H) : 7.32* 2.48*2.79(inch)

Weight : 12.63 ounces

Use environment : Indoor

Attachment : 5(ft) type-C ,user manual,Camera Tripod ,certificate of conformity